

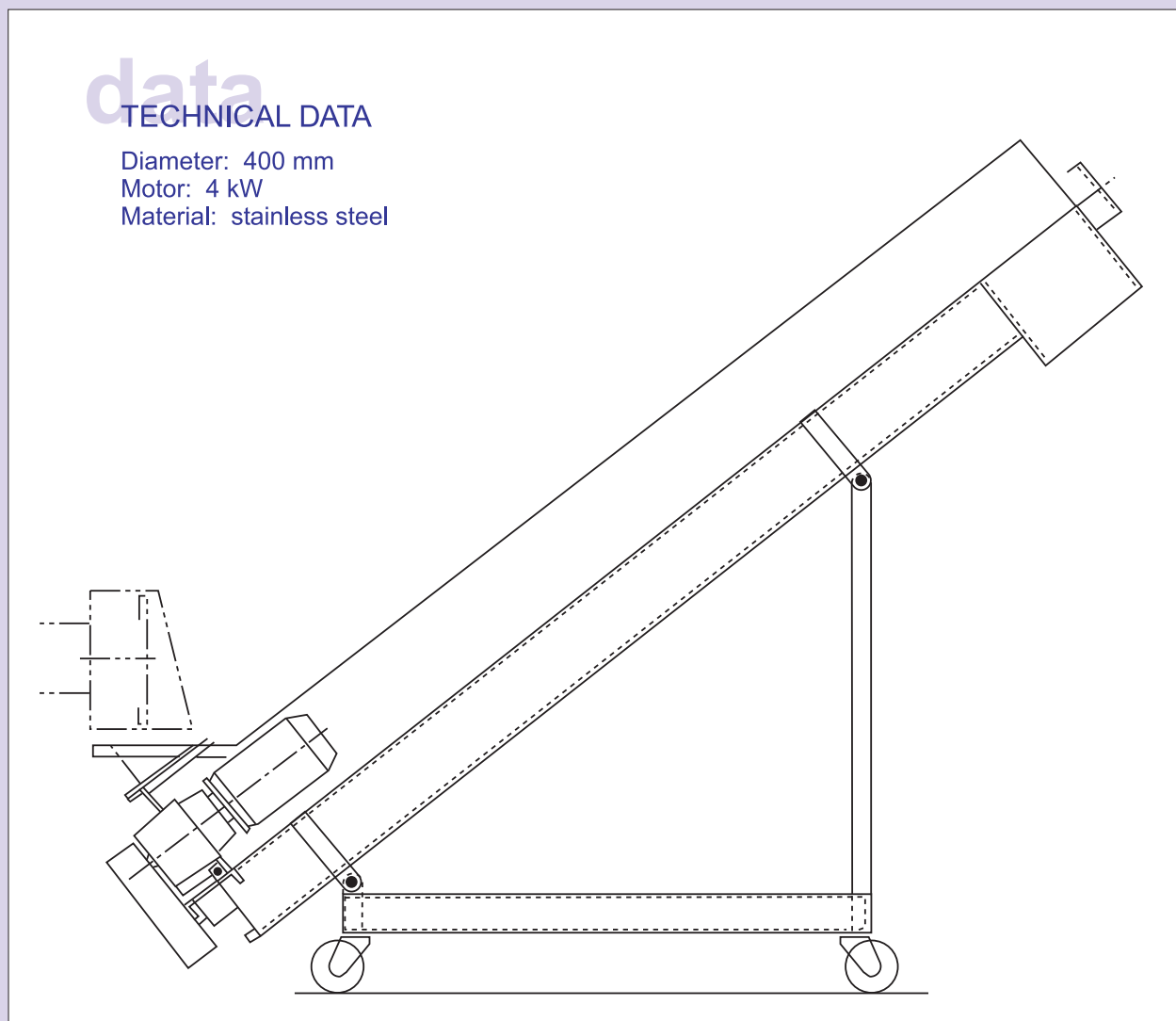
SCREW CONVEYOR

TECHNICAL INFORMATION

Diameter:	400 mm
Motor:	4,0 kW
Transmission:	Gear drive
Total length:	3200 mm
Total width:	1080 mm
Total height:	2800 mm

The PALMIA SCREW CONVEYOR, made of stainless steel, is extremely hygienic. Thanks to its multiple safety coefficient, the conveyor is reliable and durable. It's also easy to service.

The PALMIA SCREW CONVEYOR can be floor-mounted or equipped with wheels. The PALMIA SCREW CONVEYOR is available also different length and special solution for food technology models.



Palmiatek Oy Ltd

Sepänpellontie 19

28430 PORI, FINLAND

Tel. +358 207 559 100

Fax. +358 2 550 7350

E-mail: palmia@palmiatek.fi