

GRINDER

SERIES **312**

TECHNICAL INFORMATION

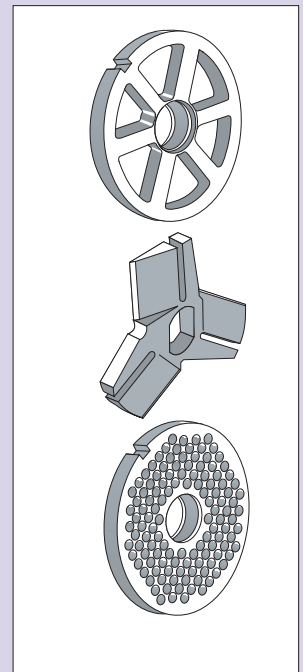
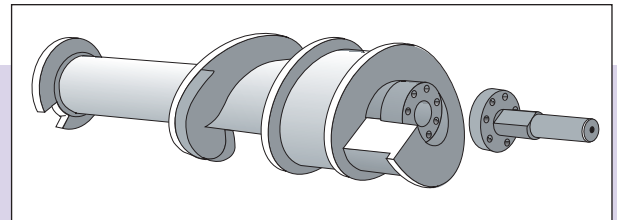
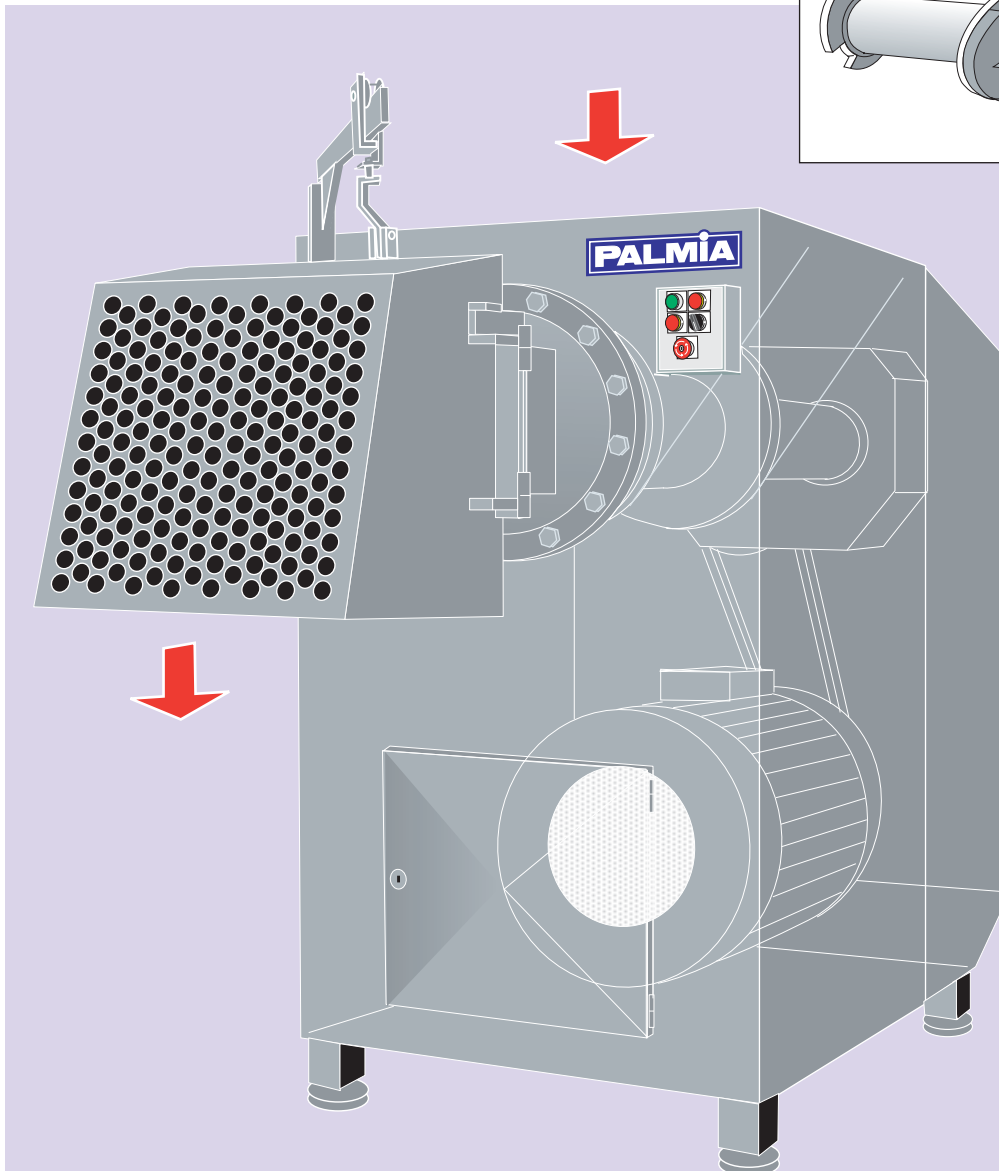
Capacity:	15 000 kg/h
Motor:	up to 75 kW
Transmission:	V-belt/gear drive
Dia. of hole plate:	333 mm.
Dia. of feed screw:	302 mm
Total length:	2060 mm
Total width:	1100 mm
Total height:	1875 mm
Net weight:	1700-2000 kg

KNIVES

Choice of one or two knives depending on the product to be ground and the desired fineness of grind.

HOLE PLATES

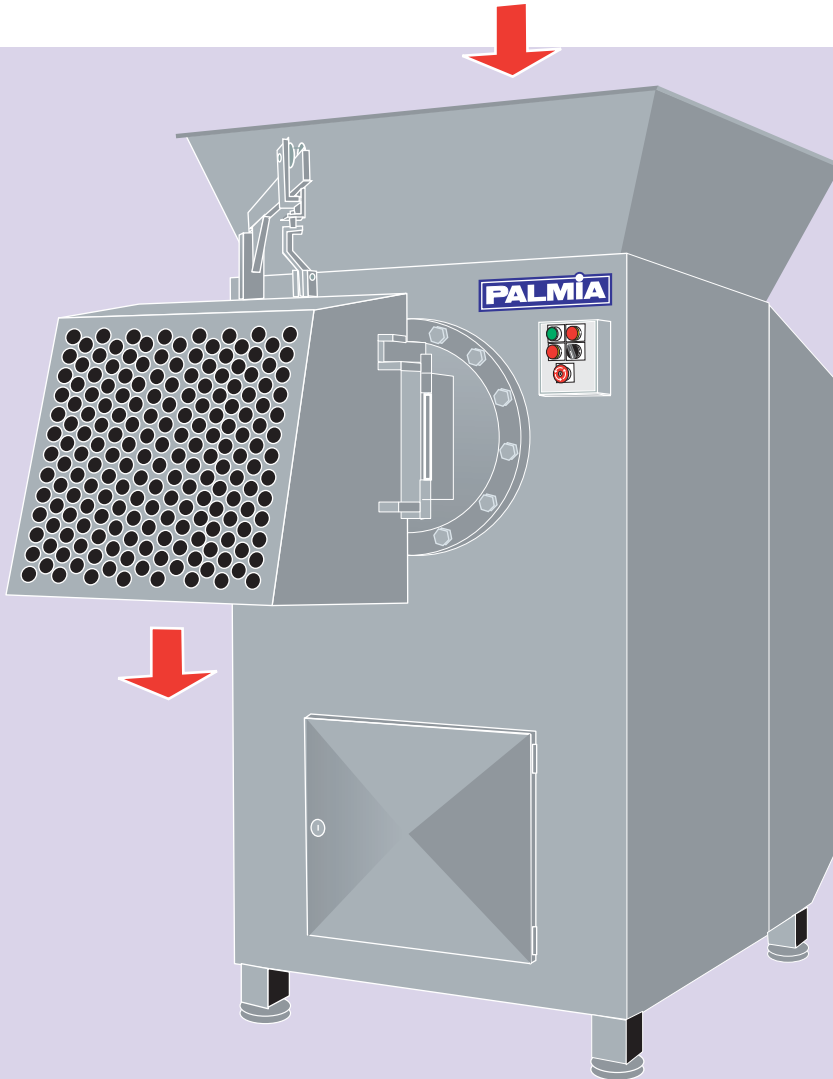
Hole plates are available in most existing hole diameters and designs.



Palmiatek Oy Ltd
Sepänpellontie 19
28430 PORI, FINLAND
Tel. +358 207 559 100
Fax. +358 2 550 7350
E-mail: palmia@palmiatek.fi

GRINDER

SERIES 312



GENERAL

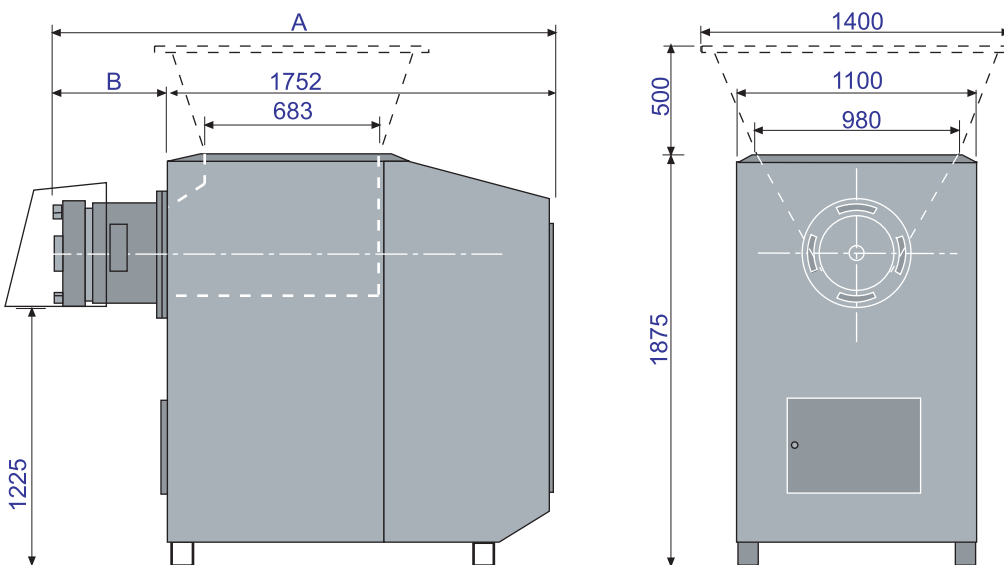
The grinder is used for the grinding of almost all existing products, fresh or frozen, such as meat, fat, fish, slaughterhouse offal etc.

The grinder can be obtained with a variety of safety features to eliminate the chances of worker injury. The generous size of the hopper and the feed screw allow standard frozen blocks of up to 800x600x150 mm in size, meat or fish, to be ground.

The grinders are available with a stainless or enamelled finish or a combination of both.

EXTRA ACCESSORIES

Complete electrical circuitry incorporated in the chassis.
 Extra hopper.
 Lifting mechanism for feeding.
 Facility for melting tube or boiling tube with direct steam.



TYPE	A	B
312-320	2060	365
312-420	2210	515