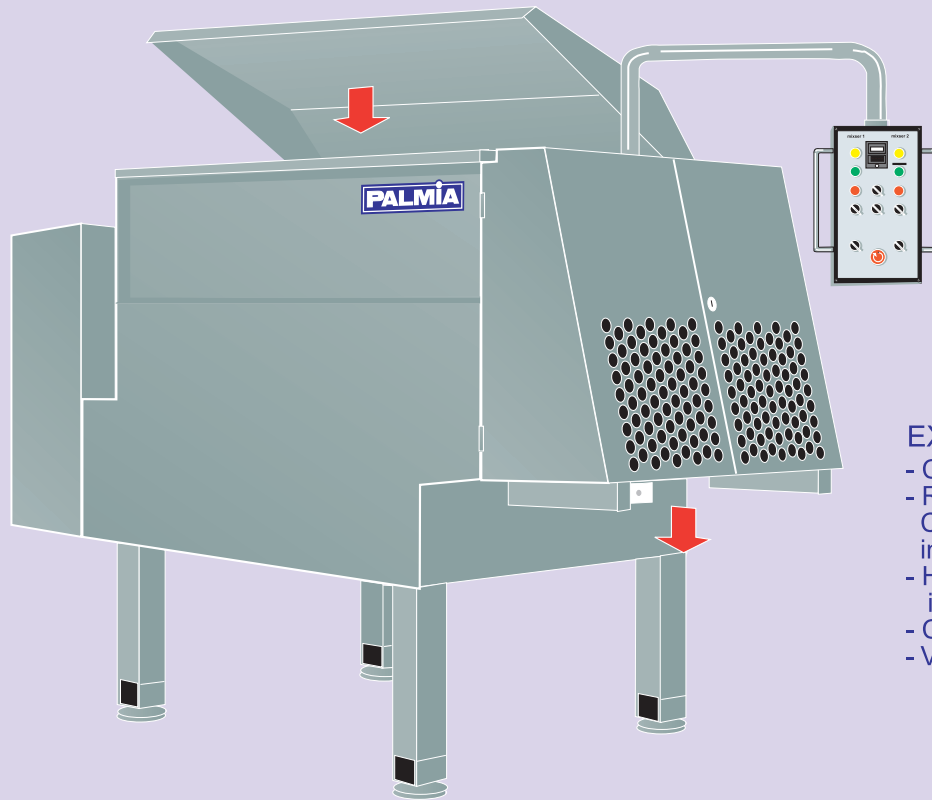


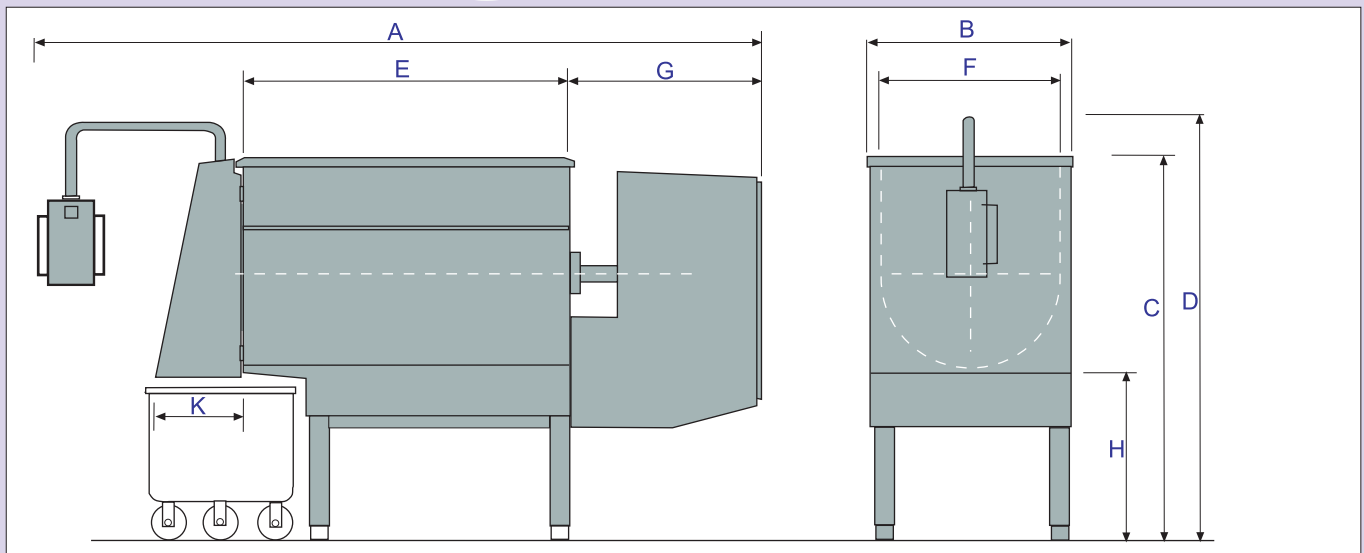
SINGLE SHAFT MIXER

SERIES **SB**



EXTRA EQUIPMENT

- Computer controlled program
- Refrigeration with Nitrogen or Carbon Dioxide direct and indirect with Freon or cold water
- Heating with steam direct or indirect
- Cover over the opening
- Variable-Speed control



Model/ Volume	A	B	C	D	E	F	G	H	K
SB 300	2400	615	1450	1830	1000	494	740	760	400
SB 700	2890	970	1785	1980	990	850	920	760	400
SB 1000	3390	970	1785	1980	1490	850	920	760	400
SB 1500	3890	970	1785	1980	1988	850	920	760	400
SB 2000	3850	1246	2035	2180	1740	1110	1060	785	445
SB 3000	4590	1246	2035	2180	2480	1110	1060	785	445
SB 4000	4830	1452	2250	2400	2480	1316	1200	785	500
SB 5000	5330	1452	2250	2400	2980	1316	1200	785	500
SB 6000	5950	1452	2250	2400	3600	1316	1200	785	500

Palmiatek Oy Ltd

Sepänpellontie 19
 28430 PORI, FINLAND
 Tel. +358 207 559 100
 Fax. +358 2 550 7350
 E-mail: palmia@palmiatek.fi

SINGLE SHAFT MIXER

SERIES

SB

TECHNICAL INFORMATION

Capacity:	300 - 6000 l
Motor:	1 pcs / 1,5 - 7,5 kW 1 built-in fully encased motor.
Transmission:	V - belts from motors to gearbox, direct driving of the mixing arm
Material:	Stainless steel
Total length:	2400 - 5950 mm
Total width:	615 - 1452 mm
Total height:	1830 - 2400 mm
Net weight:	500 - 2000 kg

CONSTRUCTION

Bearing mountings and gable-end seals are specially constructed to meet demands on operational and functional reliability. The bearings are spherical roller bearings and the seals are adjustable to provide the greatest possible degree of proofing.

CONTROL PANEL

The blender's functions are controlled by means of a centrally located panel with controls for pneumatic operation of the discharge hatches and separate functions for forward, reverse and stop operation of the two driving motors. Timer for mixing time.

MIXING ARMS

Different types: spiral ribbon, cutted spiral and paddle.

