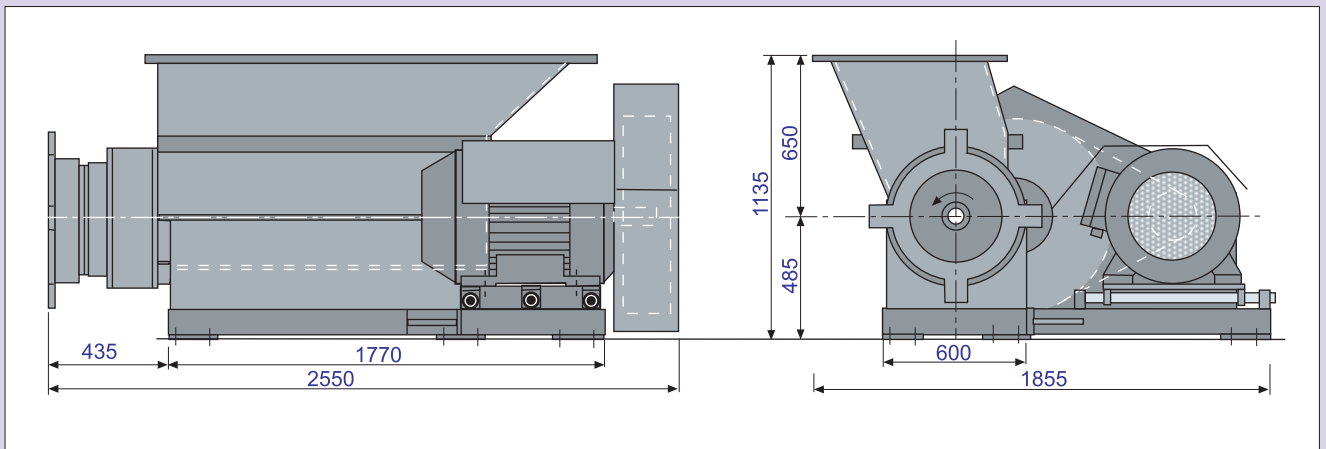
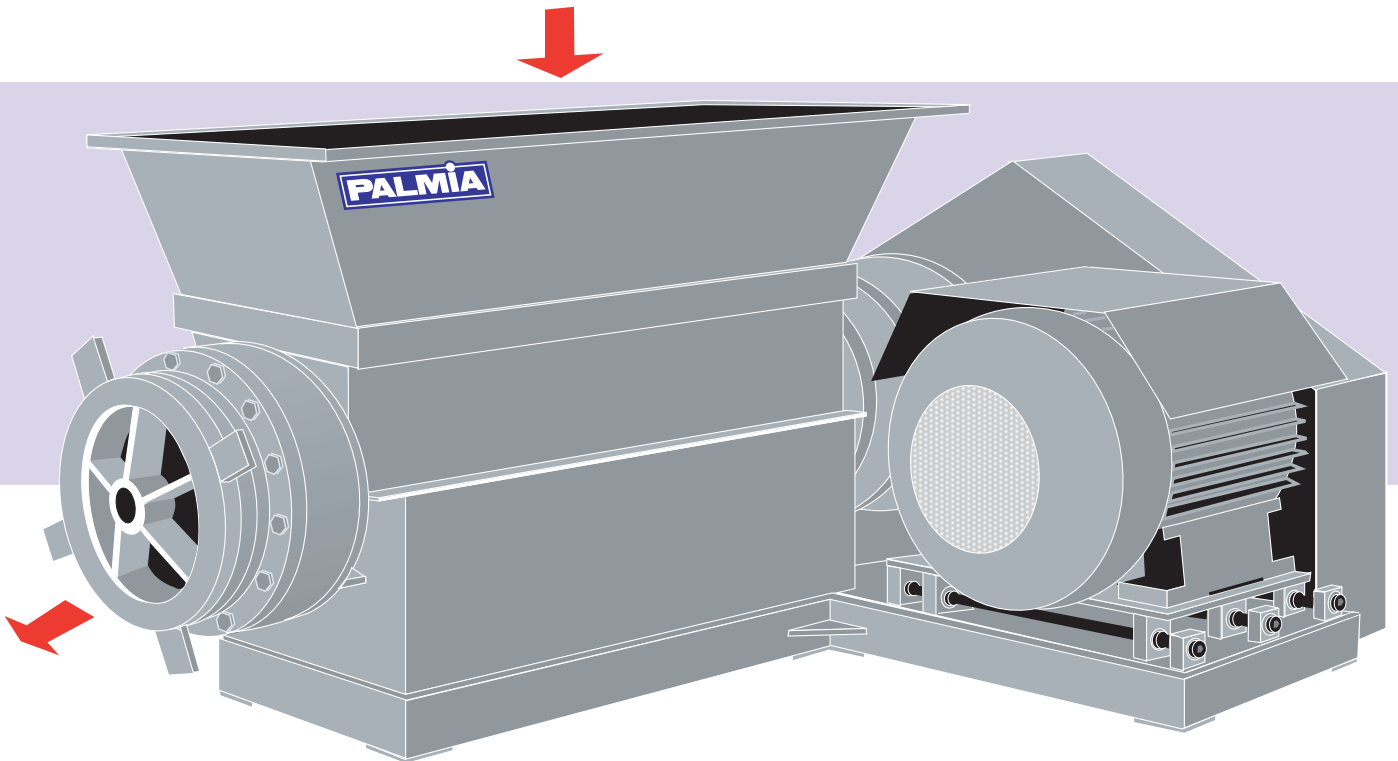


GRINDER

SERIES 408

GENERAL

The Series 408 has a somewhat simpler construction but has the same technical design as the 412 series. It is highly suitable for incorporation in processing plants. The grinder can be used for grinding most products such as, for example, meat, fat, fish, slaughterhouse waste-either fresh or frozen.



GRINDER

SERIES 408

TECHNICAL INFORMATION

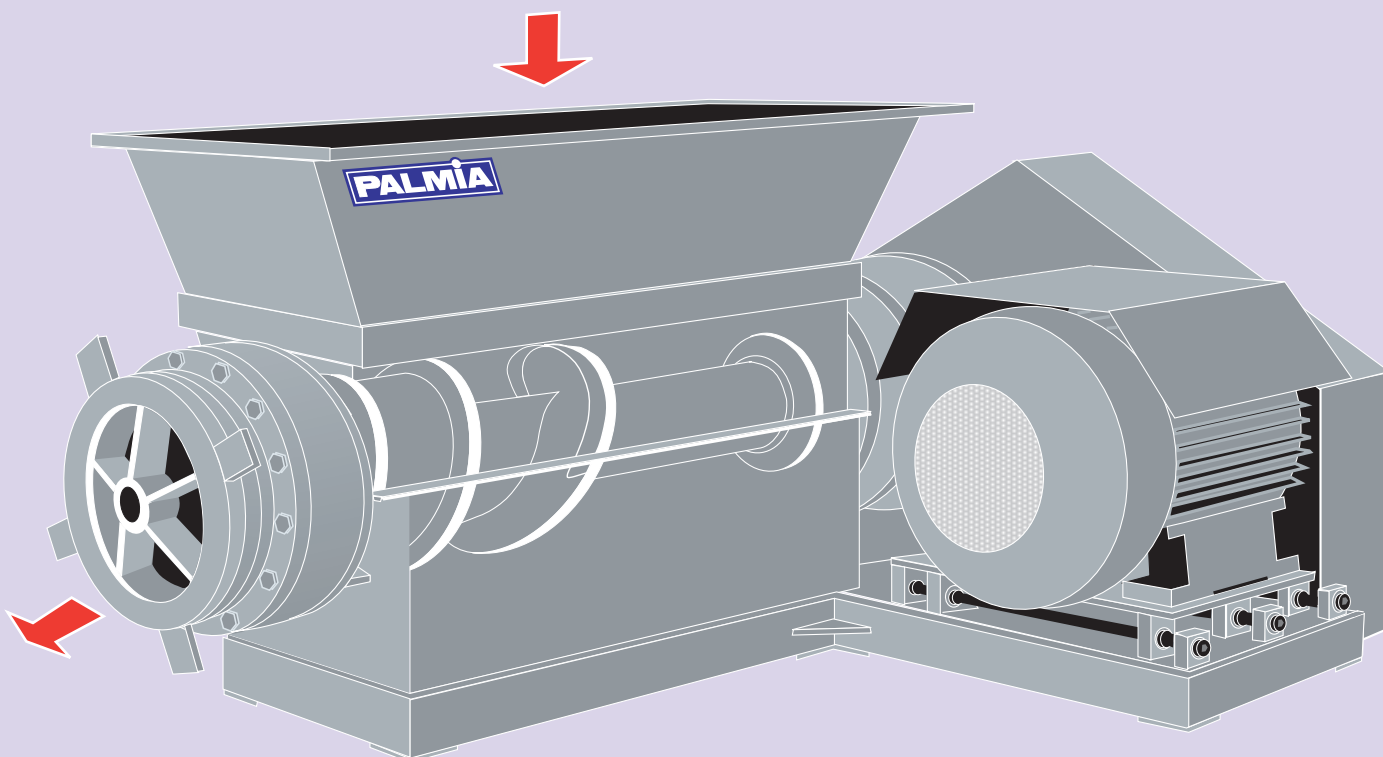
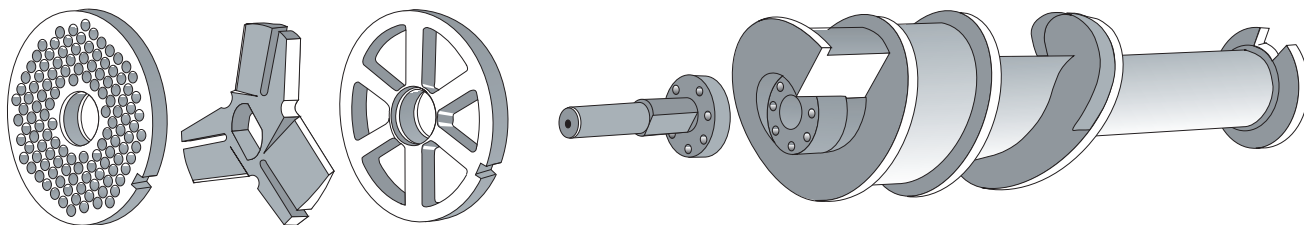
Capacity:	20 000 kg/h
Motor:	up to 90 kW
Transmission:	V-belt/gear drive
Dia. of hole plate:	412 mm.
Total length:	2550 mm
Total width:	1855 mm
Total height:	1135 mm
Net weight:	1500-1700 kg

KNIVES

A choice between one or two knives, depending on the product which is to be ground and on the desired degree of disintegration.

HOLE PLATES

The following standard sizes are available: 3, 4, 6, 10, 13, 16, 18, 25, 30 and 50 mm with cylindrically expander or tapered holes. Special hole plates are also available to meet various requirements.



Palmiatek Oy Ltd

Sepänpellontie 19
28430 PORI, FINLAND
Tel. +358 207 559 100
Fax. +358 2 550 7350
E-mail: palmia@palmiatek.fi