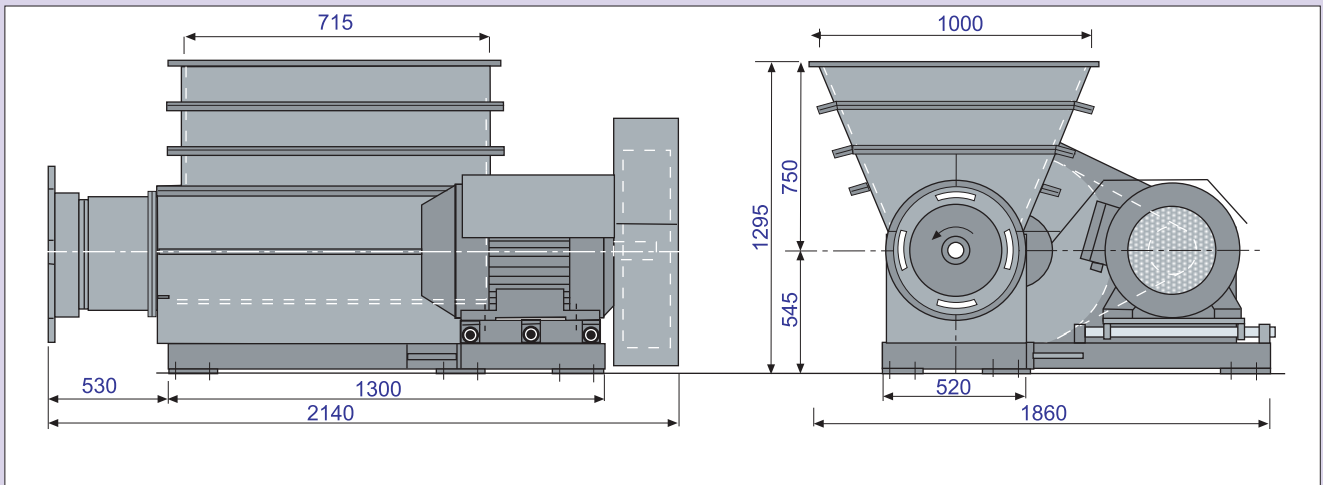
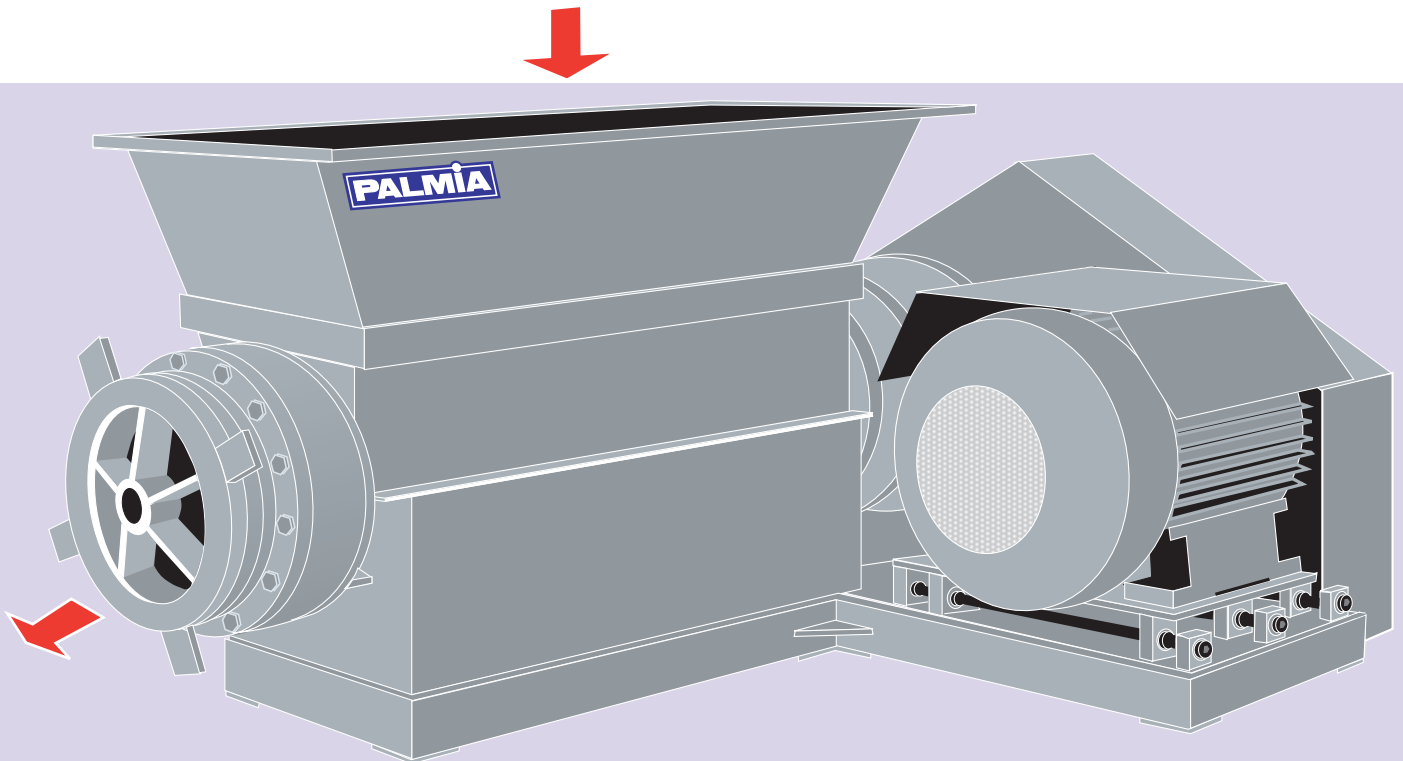


GRINDER

SERIES **308**

GENERAL

The Series 308 has a somewhat simpler construction but has the same technical design as the 312 series. It is highly suitable for incorporation in processing plants. The grinder can be used for grinding most products such as, for example, meat, fat, fish, slaughterhouse waste-either fresh or frozen.



GRINDER

SERIES 308

TECHNICAL INFORMATION

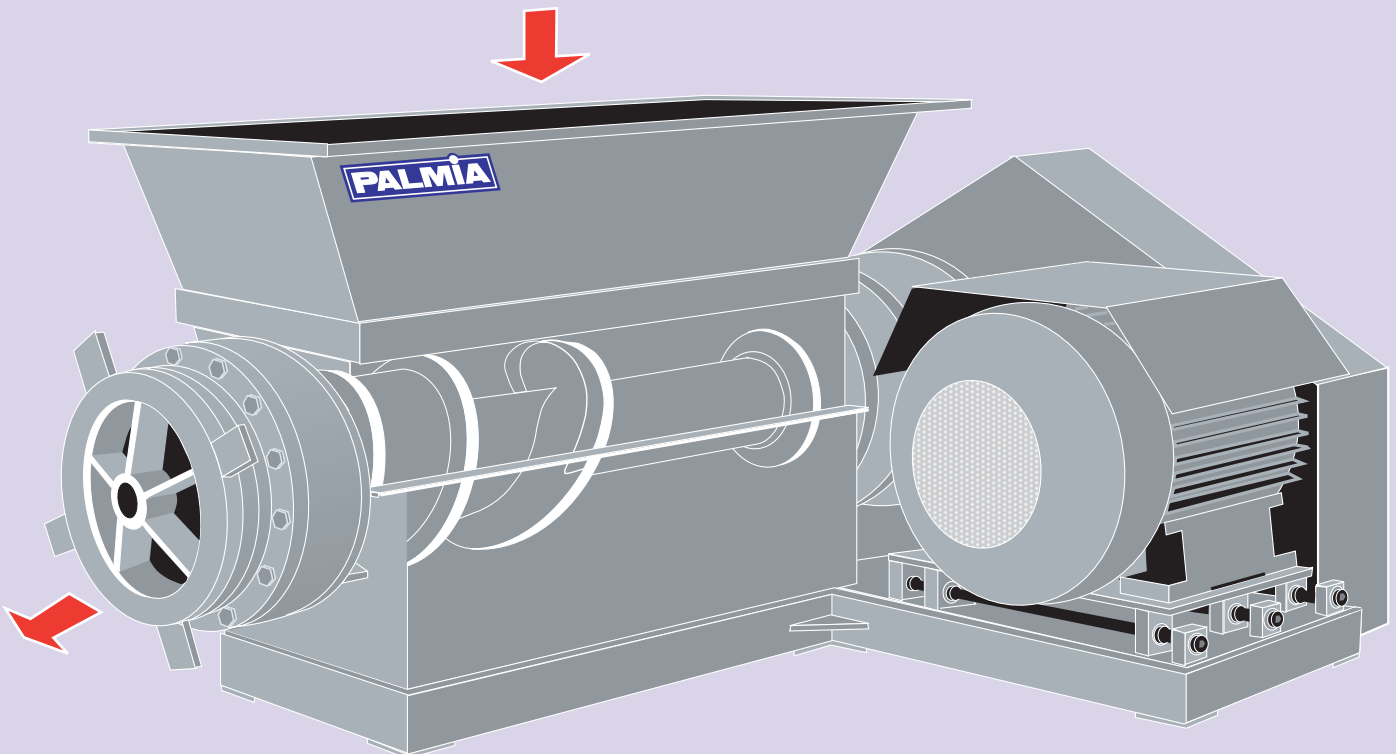
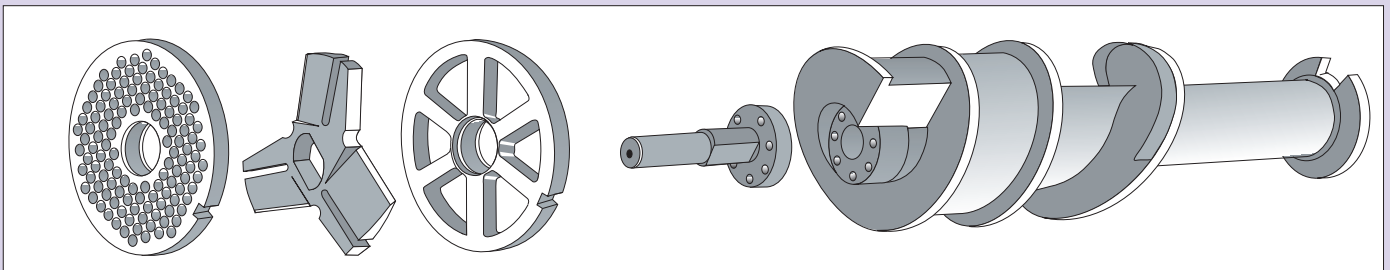
Capacity:	15 000 kg/h
Motor:	up to 75 kW
Transmission:	V-belt/gear drive
Dia. of hole plate:	333 mm.
Net weight:	1200-1500 kg

KNIVES

A choice between one or two knives, depending on the product which is to be ground and on the desired degree of disintegration.

HOLE PLATES

The following standard sizes are available: 3, 4, 6, 10, 13, 16, 18, 25, 30 and 50 mm with cylindrically expander or tapered holes. Special hole plates are also available to meet various requirements.



Palmiatek Oy Ltd
 Sepänpellontie 19
 28430 PORI, FINLAND
 Tel. +358 207 559 100
 Fax. +358 2 550 7350
 E-mail: palmia@palmiatek.fi