

PALMIA BLENDER

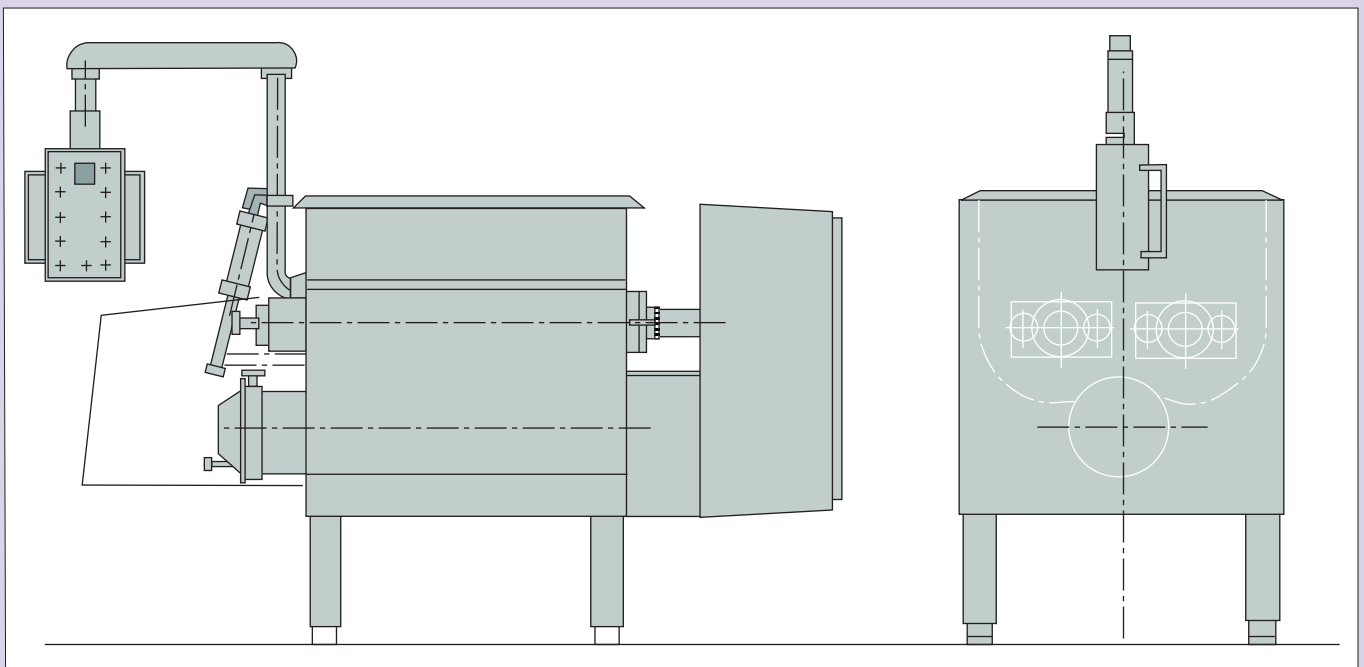
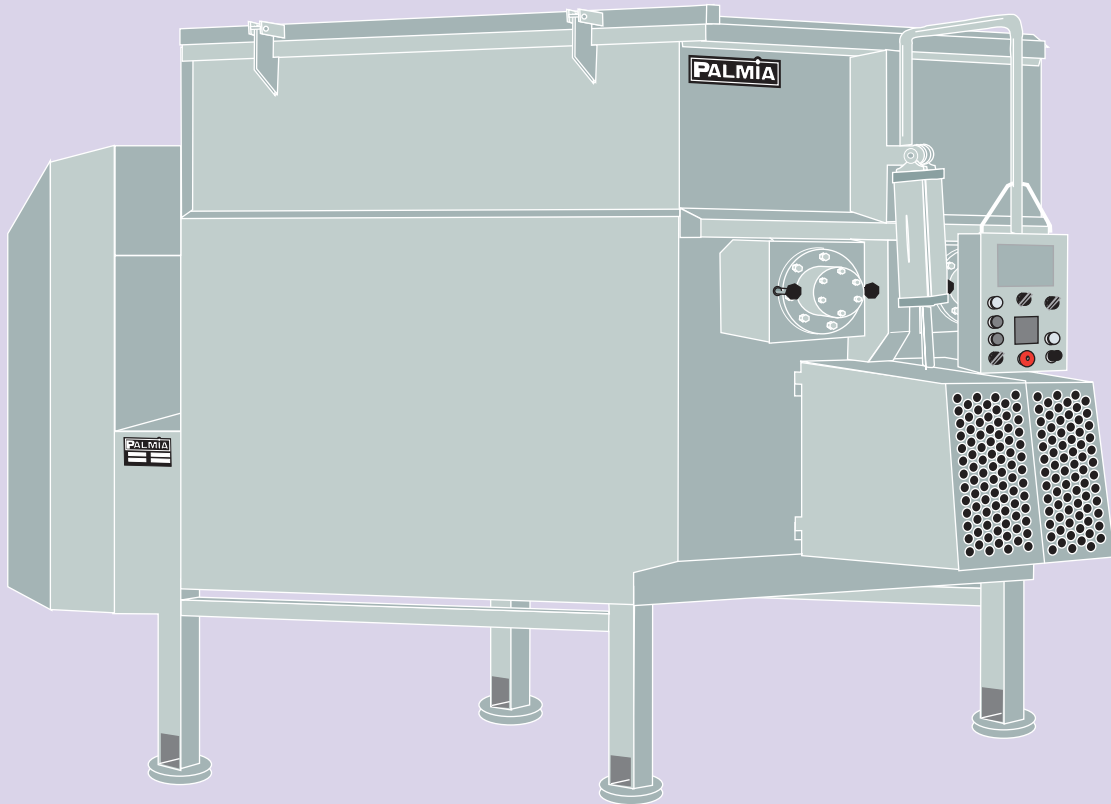
SERIES DBA

The Palmia double shaft blender has now been expanded with a new model which covers most blending requirements.

The agitators, which are always paddleshaped, are radially displaced so

that the paddles interlock, and together with the transport screw in the bottom, form an efficient blending unit.

Discharge takes place by means of the bottom screw to a centrally located hatch.



PALMIA BLENDER

SERIES DBA

DESIGN

The standart model of the blender is made of stainless steel qual. SIS 2333. The drive unit is built in and thereby efficiently protected. This also makes cleaning the blender easier.

Bearing mounts and end seals are specially designed to meet reliability and hygiene standards.

The blender is operated from a control panel located at a comfortable working height on a swinging bracket.

TECHNICAL DATA

Motors.

1 main motor for driving the two agigator drivers via V-belts to the gear drive.

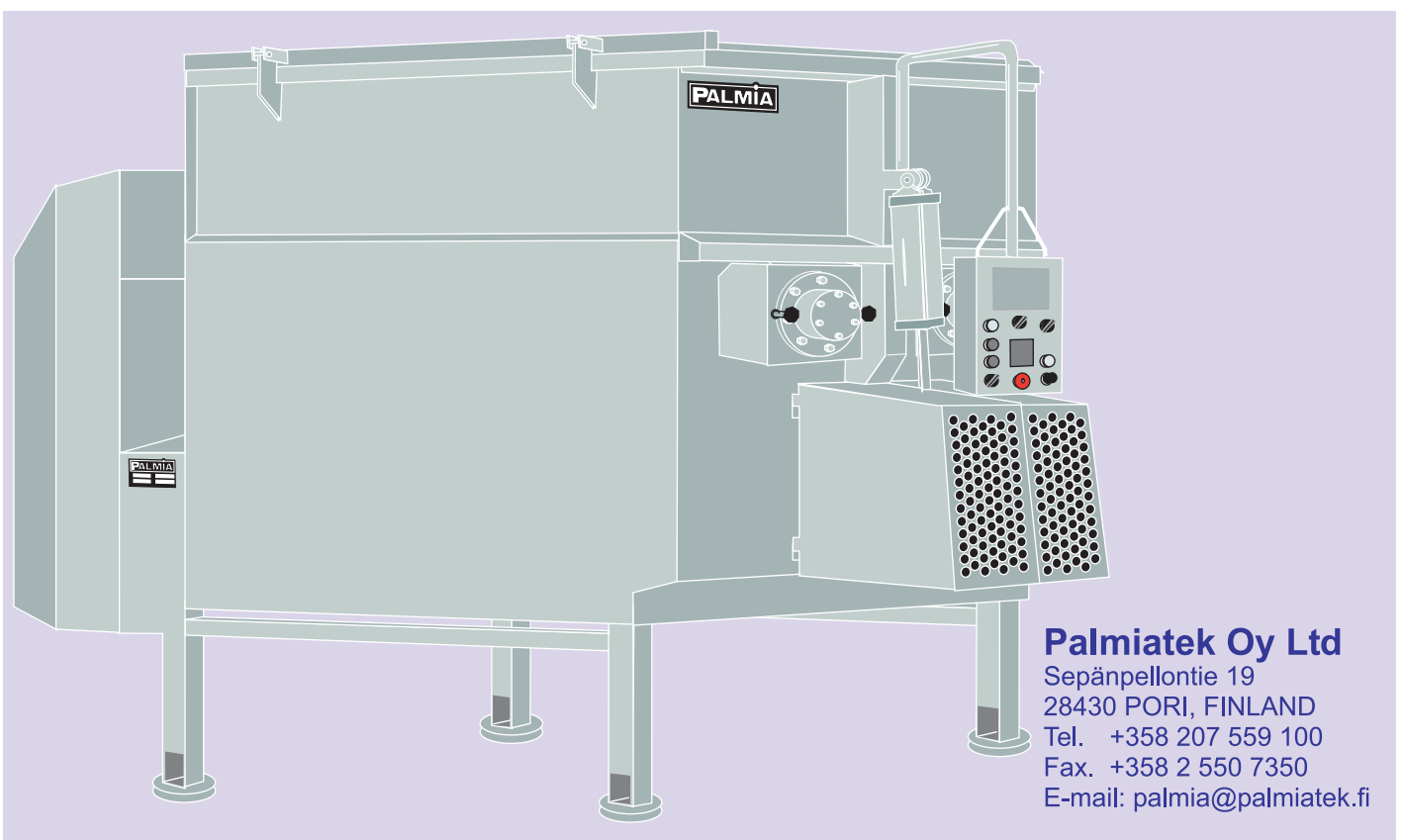
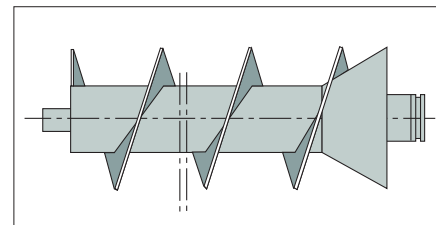
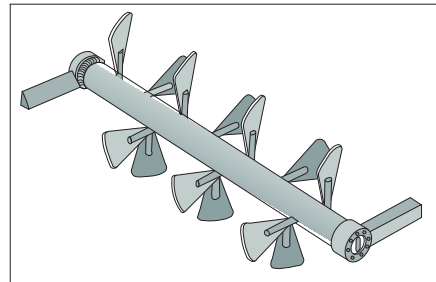
1 worm gear motor for driving the bottom screw.

Availbe in 500, 1000, 1350, 2000, 3000, 4000, 5000 and 6000 litre sizes.

Pneumatic opening/closing of discharge hatch.

EXTRAS

- Scales under the blender
- Spray pipe for water with solenoid valve.
- Protective cover over the opening.
- Thermometer with digital reading and output signal for data recording.
- PC sequence control
- Vacuum model, up to 4000 litre size.
- Cooling or heating by double jacket.



Palmiatek Oy Ltd
 Sepänpellontie 19
 28430 PORI, FINLAND
 Tel. +358 207 559 100
 Fax. +358 2 550 7350
 E-mail: palmia@palmiatek.fi